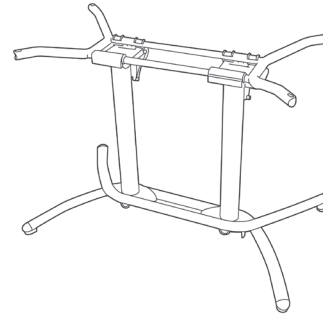




Boomerang Tilting Lateral Base



Length: 20"
 Width: 37.5"
 Height: 27.5"
 Weight:

Product Specifications

Product Description	Reference Number	Color	UPC Code 014306	Weight Each (lbs.)	Master Pack	Master Pack Volume (cu. ft)
Boomerang Tilting Lateral Base (not for use with umbrella)	US819117	Black	140186	26.50	1	3.49
	US819109	Silver Gray	141619	26.50	1	3.49

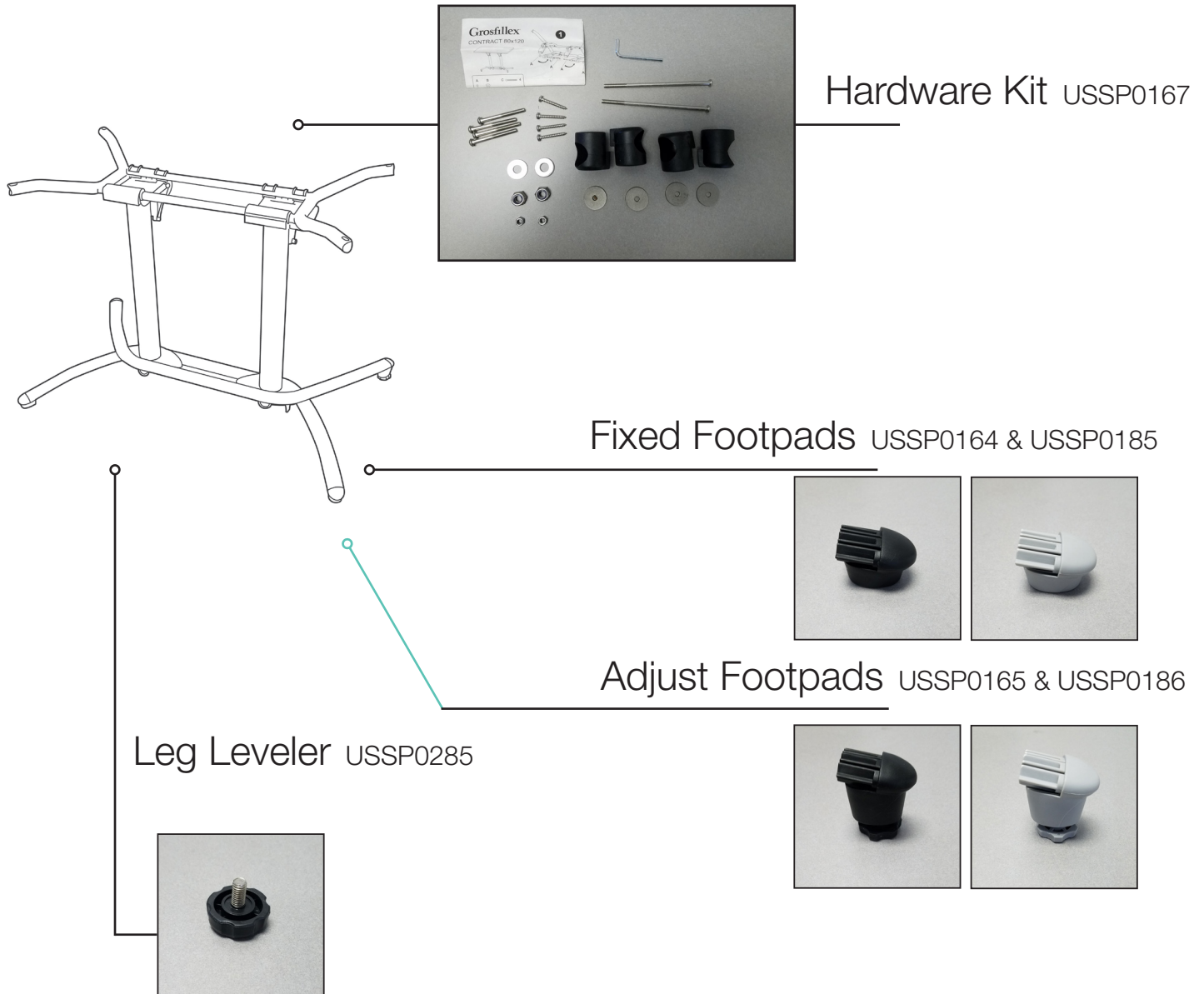
Features & Benefits Warranty: 2 Yrs.

- Specifically designed for indoor/outdoor hospitality and food service use.
- For use with Grosfillex molded melamine and HPL tops in 48" x 32" sizes.
- Heavy duty powder coated aluminum construction for weather resistance and structural integrity.
- Four adjustable leg levellers balance table on uneven surfaces.
- Easy to assemble.



Boomerang Tilting Lateral Base

Spare Parts



Reference	Description
USSP0164	FIXED FOOTPADS-ALUM FLDG BLACK
USSP0165	ADJUST FOOTPADS-ALUM FLDG BLK
USSP0167	HARDWARE KIT BOOMERANG
USSP0185	FIXED FOOTPADS-ALUM FLDG SILVE
USSP0186	ADJUST FOOTPADS-ALUM FLDG SIL
USSP0285	LEG LEVELER X1 BOOM ECO SUN BAR

