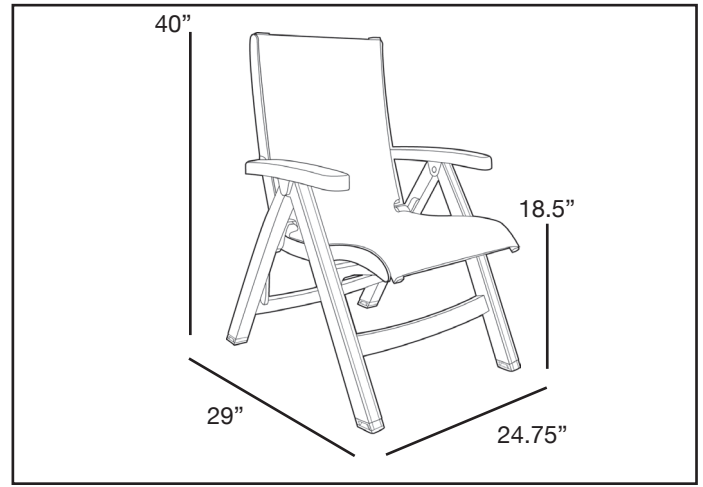




Belize Folding Sling Chair - Colored Frames



Product Specifications

Product Description	Reference Number	Color	UPC Code 014306	Weight Each (lbs.)	Master Pack	Master Pack Volume (cu. ft)
Belize Folding Sling Chair	US352037	Khaki	916446	19.30	2	7.56
	US550037	Spa Blue	920542	19.30	2	7.56
Bronze Mist						
Sandstone	US355066	Taupe	916453	19.30	2	7.56
Charcoal	US355002	Gray Tweed	924809	19.30	2	7.56
Teakwood	US352008	Khaki	918952	19.30	2	7.56

Features & Benefits Warranty: Fabric: 3 yrs. and Frame: 3 yrs.

- Meets the performance standards of EN 581-1 and EN 581-2 for commercial use.
- Specifically designed to provide comfort and ease of utilization and storage in hospitality environments.
- Grosfillex® high strength textilene fabric specifically woven to resist discoloration by the sunlight, mold & mildew, sagging, soiling and wear & tear on balconies and in the public areas of resorts, hotels, and motels.
- Color coordinates with all Grosfillex® resin sling chaises: Nautical, Marina, Catalina, and Calypso.
- Rated to 300 lbs. in compliance with the requirements of EN 1728 for non-residential use.
- Hard wearing footpads for extra wear resistance on hard deck surfaces.
- Folds flat for easy storage.
- Easy to clean - simply powerwash!
- A locking device secures the seat of the chair into position for safe use.
- Easy to replace sling fabric for repair or renovation.

