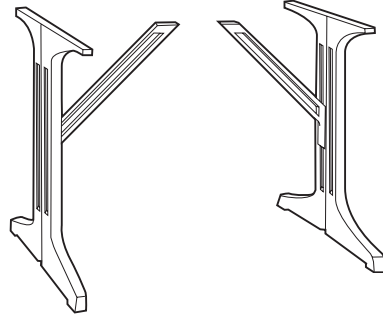




Alpha Resin Base Lateral



Height: 28"
Weight: -

Product Specifications

Product Description	Reference Number	Color	UPC Code 014306	Weight Each (lbs.)	Master Pack	Master Pack Volume (cu. ft)
Alpha Resin Base Lateral	55618302	Charcoal	134628	15.00	1	1.79
	55618304	White	925351	15.00	1	1.79
	55618337	Bronze	132921	15.00	1	1.79
	55618308	Teakwood	928234	15.00	1	1.79
	55618378	Amazon Green	929361	15.00	1	1.79
	55618181	French Taupe	918365	15.00	1	1.79

Features & Benefits Warranty: 2 Yrs.

- Specifically designed for Grosfillex 48" x 32" with umbrella hole food service molded melamine tables.
- Heavy duty four-prong resin base for extra stability.
- Made of 100% prime resin, a material impervious to moisture, salt air, chlorine.
- Anti-skid glides for extra stability and resistant to wear.
- Available in three colors to custom design your Grosfillex table with full table top complements.



Charcoal White Bronze

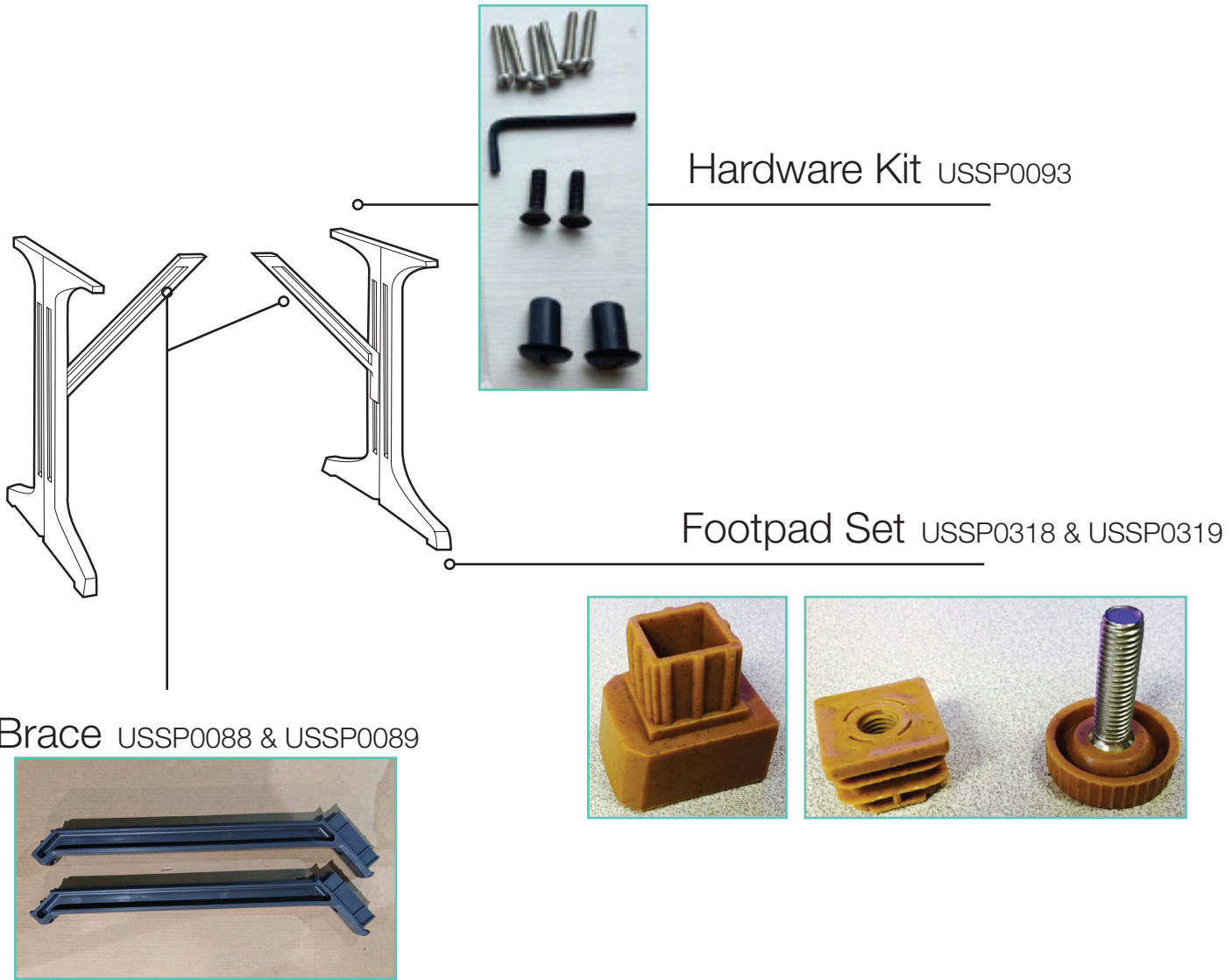


Teakwood Amazon Green French Taupe



Alpha Lateral Base

Spare Parts



Reference	Description
USSP0093	HARDWARE KIT ALPHA LATERAL & OMEGA
USSP0088	LATERAL BASE 1000 BRACE CHAR
USSP0089	LATERAL BASE 1000 BRACE-BM
USSP0318	ALPHA SM/LG FOOTPAD SET WHITE (3 FIXED/1 ADJ)
USSP0319	ALPHA SM/LG FOOTPAD SET BLACK (3 FIXED/1 ADJ)

