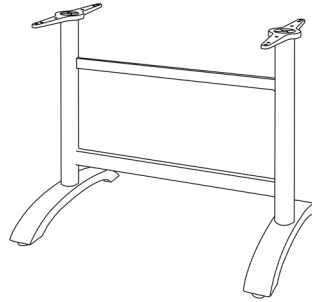




View Product



Length: 23.5"  
 Width: 32"  
 Height: 28"  
 Space between mounts: 29.5"  
 Unit Weight: 19.4 lbs

# Eco-Fix Lateral Base w/ rails

## Product Specifications

| Product Description                         | Reference Number | Color       | UPC Code<br>014306 | Pack Weight<br>Each (lbs.) | Master Pack | Master Pack<br>Volume (cu. ft) |
|---|------------------|-------------|--------------------|----------------------------|-------------|--------------------------------|
| Eco-Fix Lateral Base for use with Rail Tops | UT750009         | Silver Gray | 944364             | 19.34                      | 1           | 1.59                           |
|   | UT750017         | Black       | 944357             | 19.34                      | 1           | 1.59                           |
|   |                  |             |                    |                            |             |                                |
|   |                  |             |                    |                            |             |                                |
|   |                  |             |                    |                            |             |                                |
|   |                  |             |                    |                            |             |                                |
|   |                  |             |                    |                            |             |                                |
|   |                  |             |                    |                            |             |                                |
|   |                  |             |                    |                            |             |                                |

## Features & Benefits Warranty: 2 Yrs.

- Specifically designed for indoor/outdoor hospitality and food service use.
- For use with HPL with rails in 48" x 32" sizes.
- Heavy duty powder coated aluminum construction for weather resistance and structural integrity.
- Four adjustable leg levellers balance table on uneven surfaces.
- Easy to assemble.



Silver Gray

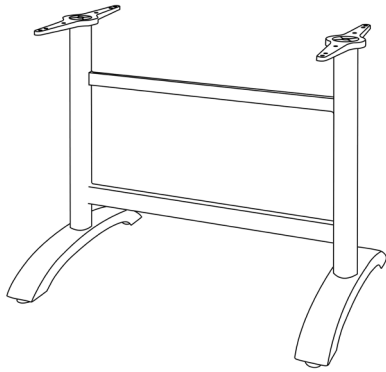


Black



# Eco-Fix Lateral Base w/Rails

Spare Parts



x4

Leg Leveler USSP0285



| Reference | Description                     |
|-----------|---------------------------------|
| USSP0285  | 4-LEGLLEVELR X1 BOOM ECO SUNBAR |