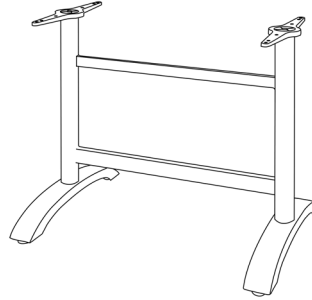




Eco-Fix Lateral Base w/ rails



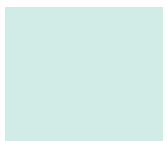
Length: 23.5"
 Width: 32"
 Height: 28"
 Space between mounts: 29.5"

Product Specifications

Product Description	Reference Number	Color	UPC Code 014306	Weight Each (lbs.)	Master Pack	Master Pack Volume (cu. ft)
Eco-Fix Lateral Base for use with Rail Tops	UT750009	Silver Gray	944364	19.34	1	1.59
	UT750017	Black	944357	19.34	1	1.59

Features & Benefits Warranty: 2 Yrs.

- Specifically designed for indoor/outdoor hospitality and food service use.
- For use with HPL with rails in 48" x 32" sizes.
- Heavy duty powder coated aluminum construction for weather resistance and structural integrity.
- Four adjustable leg levellers balance table on uneven surfaces.
- Easy to assemble.



Silver Gray

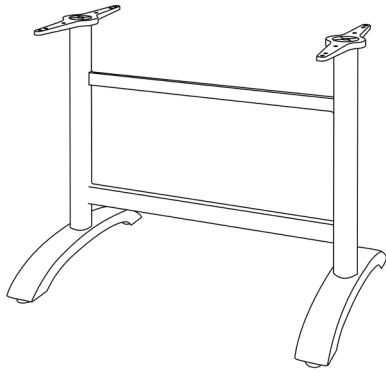


Black



Eco-Fix Lateral Base w/Rails

Spare Parts



x4

Leg Leveler USSP0285



Reference	Description
USSP0285	4-LEGLLEVELR X1 BOOM ECO SUNBAR