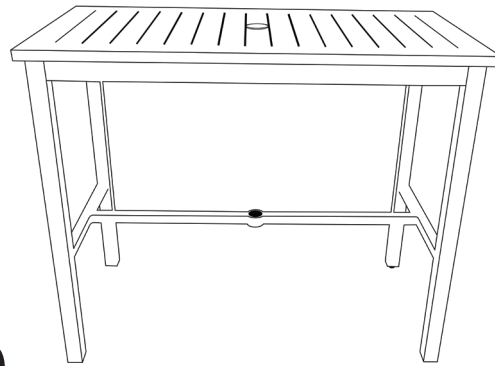




View Product



Height: 42"
 Width: 51"
 Length: 28"
 Unit Weight: 38.25 lbs

Sigma 51"x28" Bar Height Table

Product Specifications

Product Description	Reference Number	Color	UPC Code 014306	Pack Weight Each (lbs.)	Master Pack	Master Pack Volume (cu. ft)
Sigma 51"x28" Bar Height- Table	US931599	Fusion Bronze	947143	46.30	1	9.26
	US931288	Volcanic Black	947136	46.30	1	9.26

Features & Benefits Warranty: 2 Yrs.

The Grosfillex Bar Height Sigma Complete Metal Table will be a beautiful addition to your outdoor restaurant & patio dining floorplan. This 100% aluminum table comes complete in one carton with all hardware and easy-to-read instructions. It is easy and fast to assemble. The Sigma features a standard design to complement your restaurant decorating scheme. It is simple to maintain – just wipe with a cloth and mild soap when needed. Rust and UV resistant. Features adjustable footpads and an umbrella hole (with cap).

- Slatted aluminum table cleans up quickly and easily
- 100% aluminum
- Ships complete
- Strong, sturdy design
- Available in two colors – Volcanic Black and Fusion Bronze
- Available in five sizes – 34" x 34", 34" x 48", 69"x39", 28" Square Bar Height, 51"x28" Bar Height
- 2 year warranty



Fusion Bronze



Volcanic Black



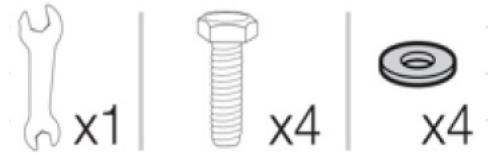
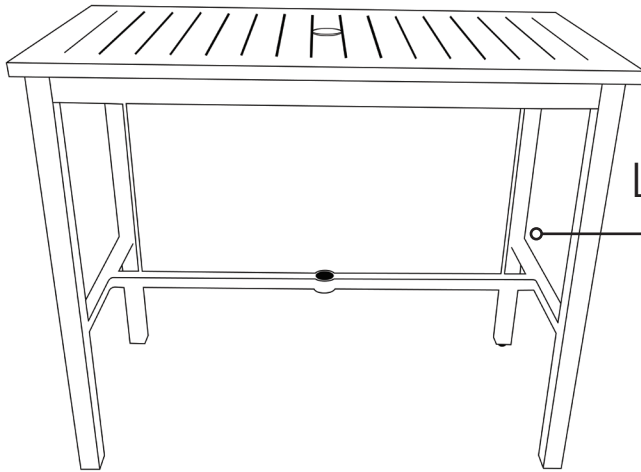
Sigma 51"x28" Bar Height Table

Spare Parts

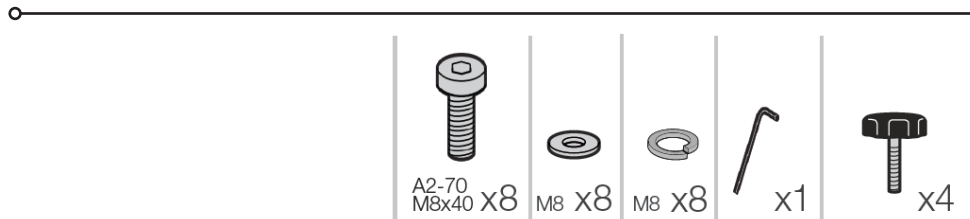
Umbrella Plug USSP0320 & USSP0321



Leg Brace Hardware Kit - USSP0329



Sigma Hardware Kit - USSP0356



Reference	Description
USSP0320	SIGMA TABLE UMBRELLA PLUG - VOLCANIC BLACK
USSP0321	SIGMA TABLE UMBRELLA PLUG - FUSION BRONZE
USSP0329	SIGMA BAR HEIGHT LEG BRACE HARDWARE PACK
USSP0356	HARDWARE KIT SIGMA TABLES