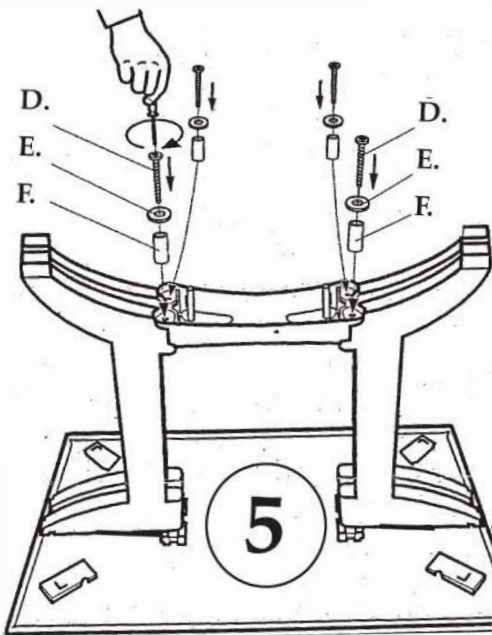
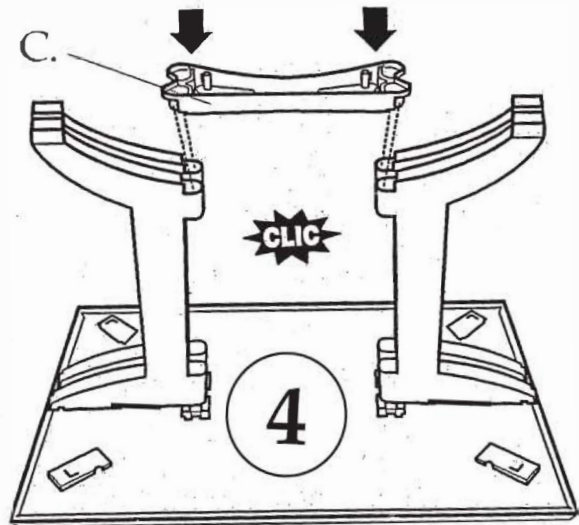
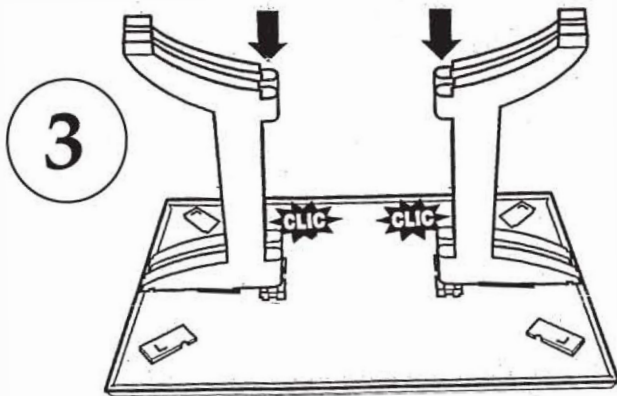


Parts A, B, G., & H.
Pre-installed

C.		1
D.		8
E.		4
F.		4



NOTE!
AFTER LOCKING
LEG INTO
POSITION -
USE SCREW (D) TO
SECURE IT ONTO
LOCK

